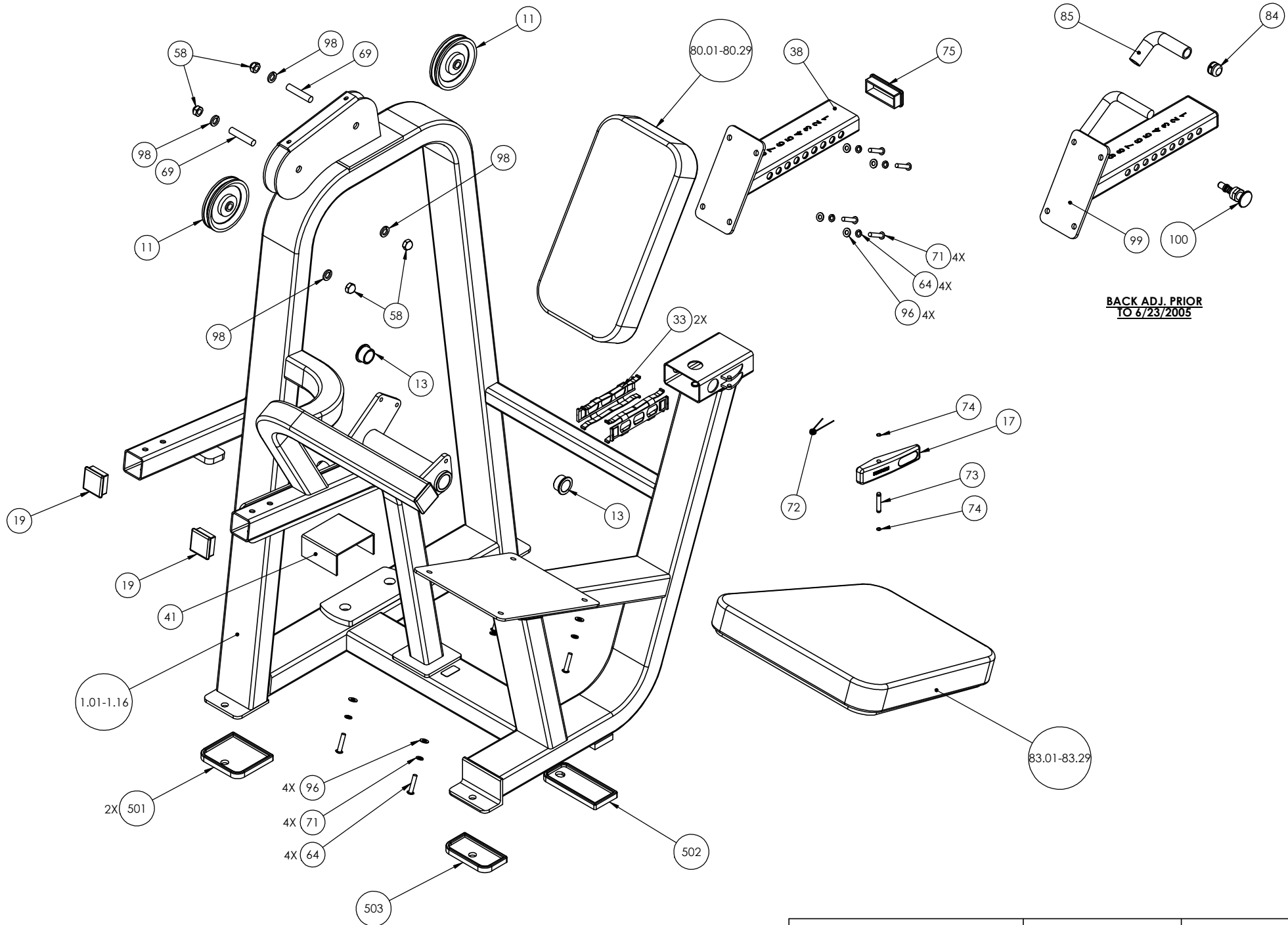
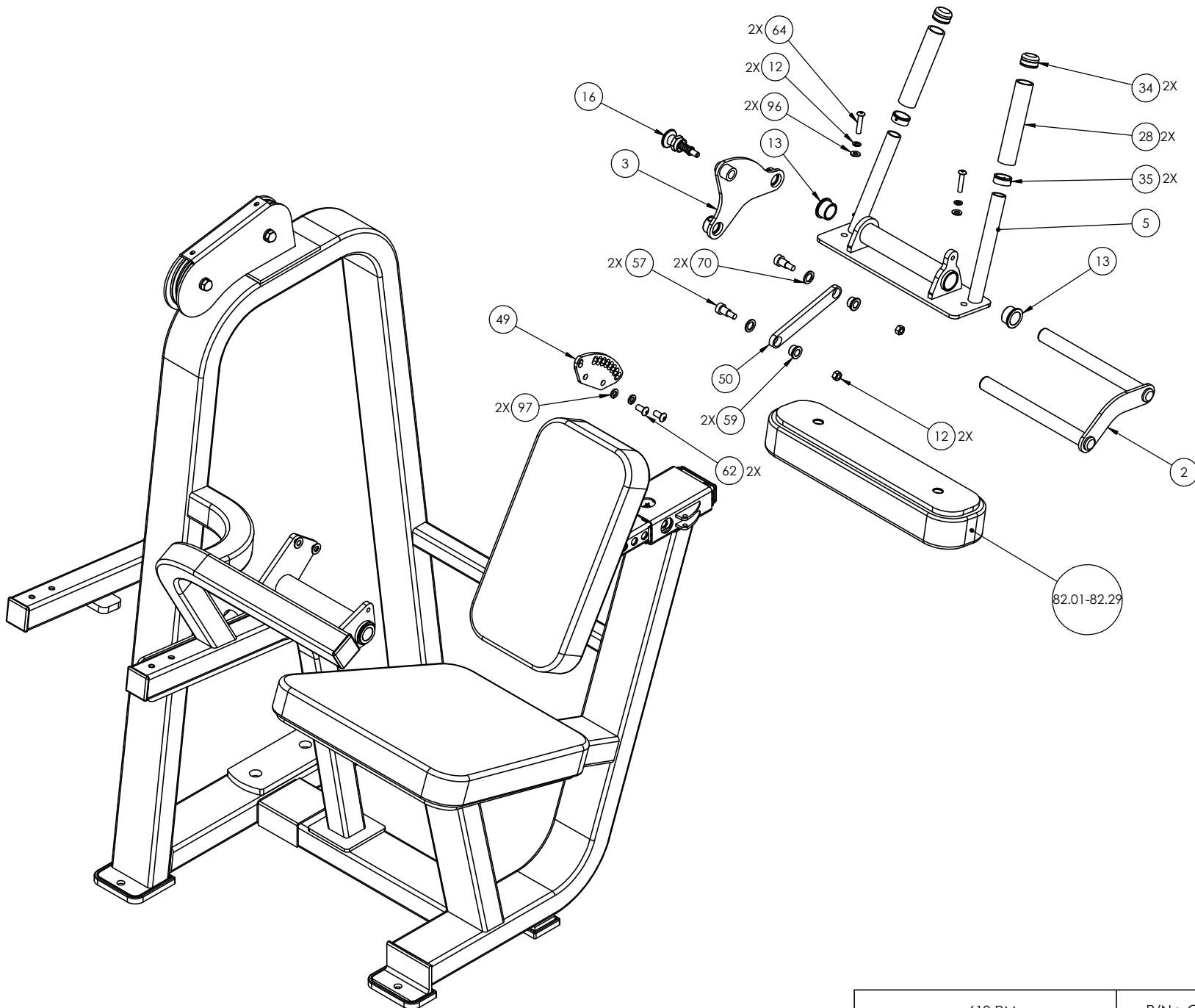


619 RM	P/N : CW31242-102	SUBREV : E
DRAWN BY : VLE	DATE : 11.17.09	SHEET 1 OF 5

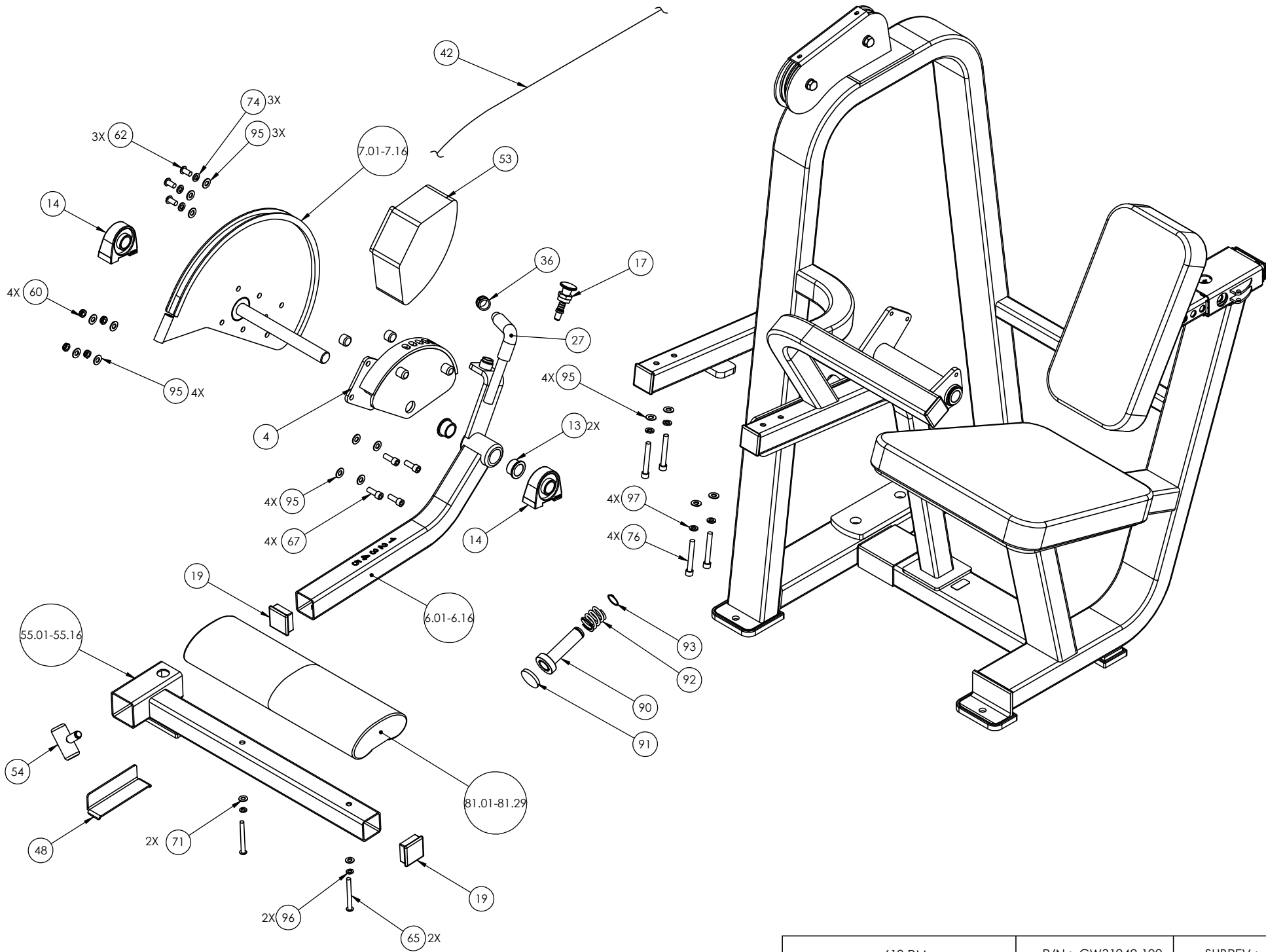


**BACK ADJ. PRIOR  
TO 6/23/2005**

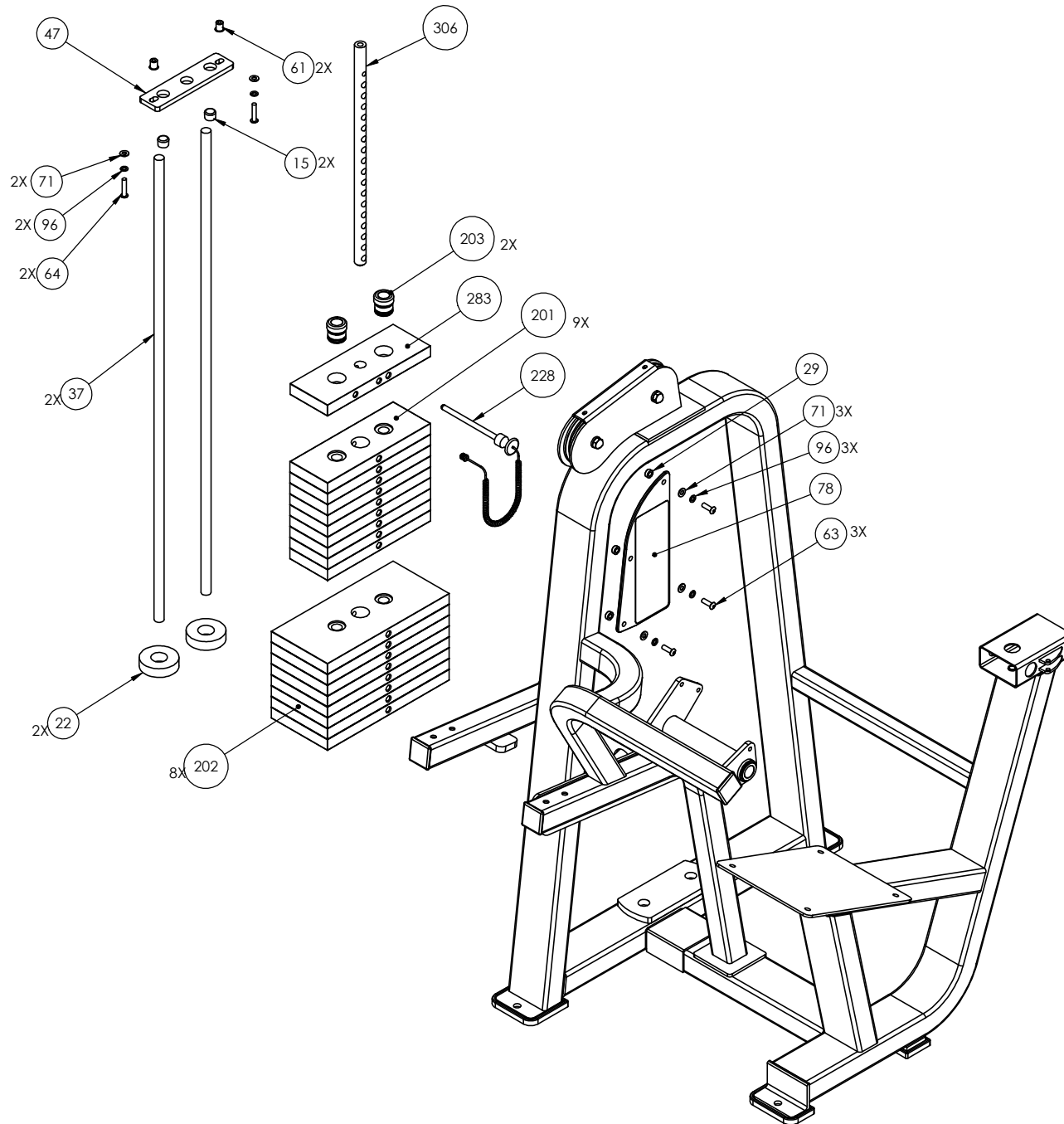
619 RM	P/N : CW31242-102	SUBREV : E
DRAWN BY : VLE	DATE : 11.17.09	SHEET 2 OF 5



619 RM	P/N : CW31242-102	SUBREV : E
DRAWN BY : VLE	DATE : 11.17.09	SHEET 3 OF 5



619 RM	P/N : CW31242-102	SUBREV : E
DRAWN BY : VLE	DATE : 11.17.09	SHEET 4 OF 5



619 RM	P/N : CW31242-102	SUBREV : E
DRAWN BY : VLE	DATE : 11.17.09	SHEET 5 OF 5

## 619 Seated Leg Curl with Range of Motion

Part Number	Description	Bubble Number
CW619SA1-211	ASSY,FRAME,MAIN,619,SKY WHITE	1.01
CW619SA1-212	ASSY,FRAME,MAIN,619,SKY WHITE	1.01
CW619SA1-221	ASSY,FRAME,MAIN,619,BLACK	1.02
CW619SA1-231	ASSY,FRAME,MAIN,619,RED	1.03
CW619SA1-241	ASSY,FRAME,MAIN,619,PLAT SPRKLE	1.04
CW619SA1-251	ASSY,FRAME,MAIN,619,SILVER	1.05
CW619SA1-261	ASSY,FRAME,MAIN,619,BLUE	1.06
CW619SA1-271	ASSY,FRAME,MAIN,619,CHARCOAL	1.07
CW619SA1-281	ASSY,FRAME,MAIN,619,CATH GRAY	1.08
CW619SA1-291	ASSY,FRAME,MAIN,619,SILVER VIEN	1.09
CW619SA1-312	ASSY,FRAME,MAIN,619,STONE HG	1.11
CW619SA1-321	ASSY,FRAME,MAIN,619,TITANIUM HG	1.12
CW619SA1-322	ASSY,FRAME,MAIN,619,TITANIUM HG	1.12
CW619SA1-331	ASSY,FRAME,MAIN,619,WHITE GLOSS	1.13
CW619SA1-341	ASSY,FRAME,MAIN,619,BLACK ONYX	1.14
CW619SA1-351	ASSY,FRAME,MAIN,619,LT. BRONZE	1.15
CW619SA1-361	ASSY,FRAME,MAIN,619,SAPPHIRE BL	1.16
<b>CW619SA3-721</b>	ASSY, PIVOT ADJ, 619, WRKL BLK	3
CW619SA4-721	ASSY,SELECTOR,619,WRKL BLK	4
CW619SA5-721	ASSY, THIGH PAD, 619, WRINKLE BLACK	5
CW619SA7-211	ASSY,LEG LEVER,ROM,619,SKY WHITE	6.01
CW619SA7-221	ASSY,LEG LEVER,ROM,619,BLACK	6.02
CW619SA7-231	ASSY,LEG LEVER,ROM,619,RED	6.03
CW619SA7-241	ASSY,LEG LEVER,ROM,619,PLAT SPKLE	6.04
CW619SA7-251	ASSY,LEG LEVER,ROM,619,SILVER	6.05
CW619SA7-261	ASSY,LEG LEVER,ROM,619,BLUE	6.06
CW619SA7-271	ASSY,LEG LEVER,ROM,619,CHARCOAL	6.07
CW619SA7-281	ASSY,LEG LEVER,ROM,619,CATH GRY	6.08
CW619SA7-291	ASSY,LEG LEVER,ROM,619,SILVER VIEN	6.09
CW619SA7-311	ASSY,LEG LEVER,ROM,619,STONE HG	6.11
CW619SA7-321	ASSY,LEG LEVER,ROM,619,TITANIUM HG	6.12
CW619SA7-331	ASSY,LEG LEVER,ROM,619,WHITE GLOSS	6.13
CW619SA7-341	ASSY,LEG LEVER,ROM,619,BLACK ONYX	6.14
CW619SA7-351	ASSY,LEG LEVER,ROM,619,LIGHT BRONZE	6.15
CW619SA7-361	ASSY,LEG LEVER,ROM,619, SAPPHIRE BL	6.16
CW619SA8-211	ASSY,CAM,619ROM,SKY WHITE	7.01
CW619SA8-221	ASSY,CAM,619ROM,BLACK	7.02
CW619SA8-231	ASSY,CAM,619ROM,RED	7.03
CW619SA8-241	ASSY,CAM,619ROM,PLATINUM SPRKL	7.04
CW619SA8-251	ASSY,CAM,619ROM,SILVER	7.05
CW619SA8-261	ASSY,CAM,619ROM,BLUE	7.06
CW619SA8-271	ASSY,CAM,619ROM,CHARCOAL	7.07
CW619SA8-281	ASSY,CAM,619ROM,CATHEDRAL GREY	7.08
CW619SA8-291	ASSY,CAM,619ROM,SILVER VIEN	7.09
CW619SA8-311	ASSY,CAM,619ROM,STONE HG	7.11
CW619SA8-321	ASSY,CAM,619ROM,TITANIUM HG	7.12
CW619SA8-331	ASSY,CAM,619ROM, WHITE GLOSS	7.13
CW619SA8-341	ASSY,CAM,619ROM,BLACK ONYX	7.14

CW619SA8-351	ASSY,CAM,619ROM,LIGHT BRONZE	7.15
CW619SA8-361	ASSY,CAM,619ROM,SAPPHIRE BLUE	7.16
CWAC1001-101	LABEL, "ICARIAN", 1 1/2 X 8 1/8	9
CWAC1002-101	LABEL, "ICARIAN", 3 X 16 3/8	10
CW11311-103	ENDCAP, REC TUBE, 2X2, BLK PLASTIC	11
CWAC1009-101	PULLEY, 4 1/2 DIA X 1/2 ID	11
CW10043-134	BUSHING, BRONZE, 1" ID X 1 1/4" OD	13
CW12406-101	PILLOW BLOCK, BEARING, 2 BOLT	14
CW12404-101	CAP, GUIDE ROD,DIA 3/4, BLK	15
CW30166-752	ASSY, POP PIN, 0.450 DIA NOSE, BLU	16
CW32460-221	ASSY, RATCHETING LEVER, BLACK	17
CW11311-102	ENDCAP, REC TUBE, 2X4, BLK PLASTIC	18
CW11311-103	ENDCAP, REC TUBE, 2X2, BLK PLASTIC	19
CW12402-101	BUMPER, ID 1.050, BLK RUBBER	22
CW34822-101	LABEL, "ASSEMBLED IN THE USA"	23
CWAC1161-101	LABEL, ROUND, "MADE IN USA"	23
CWGR4805-000	GRIP, RUBBER, .75" OD HANDLE, 5.00"	27
CWGR4606-000	GRIP, RUBBER, 1.00" OD HANDLE, 6.00	28
CWAC1228-901	SPACER, ALU,.328 ID X .625 OD X .25	29
CWAC1232-101	LABEL, ROUND, "PIVOT"	31
CW33626-902	GUIDE, THCK, TELESCOPING TUBE	33
CWAC218-901	HANDLE END CAP W/SET SCREWS, DIA 1"	34
CWAC219-902	HNDL RETAINER RNG, W/SS,1.040" I.D.	35
CWAC220-901	HANDLE END CAP W/SET SCREWS, DIA 3/	36
CWPF1212-711	GUIDE ROD, 3/4 X 42 5/8 (#4), CHM	37
CW32218-712	ASSEMBLY, BACKPAD ADJUSTMENT, 9 HOL	38
CWPF1980-731	T-HANDLE INSERT, BLK ZN	39
CWGR4601-625	GRIP, RUBBER, 1.00" OD HANDLE, 1.63	40
CW33522-101	ASSY, CUT PIECE, ABS CHANNEL,1/8 X	41
CWCLGH069-000	ASSY, CABLE, 605, 619	42
CWPF1016-732	BAR,,FLAT CR/HR, 3/8 X 2 X 8 1/4, 3	47
CWPF1553-901	ANGLE,STAINLESS STEEL, 1/8 X 1 1/2	48
CWPF1555-721	PLATE,STEEL,1/4" THICK, CR, 9 SLOTS	49
CW31245-721	ASSY,BAR, STEEL, FLAT, 3/8 X 1 X (7	50
CW30799-731	ASSY, SPRING STOP, BLK ZN	52
CWSA1502-721	WELDMENT, COUNTER WEIGHT, 3" THK, W	53
CWSA1610-731	WELDMENT, T-HANDLE ADJUSTER, BLACK	54
CWSA1611-211	ASSY,LEG ADJUSTMENT,SKY WHITE	55.01
CWSA1611-221	ASSY,LEG ADJUSTMENT,BLACK	55.02
CWSA1611-231	ASSY,LEG ADJUSTMENT,RED	55.03
CWSA1611-241	ASSY,LEG ADJUSTMENT,PLAT SPKLE	55.04
CWSA1611-251	ASSY,LEG ADJUSTMENT,SILVER	55.05
CWSA1611-261	ASSY,LEG ADJUSTMENT,BLUE	55.06
CWSA1611-271	ASSY,LEG ADJUSTMENT,CHARCOAL	55.07
CWSA1611-281	ASSY,LEG ADJUSTMENT,CATH GRY	55.08
CWSA1611-291	ASSY,LEG ADJUSTMENT,SILVER VIEN	55.09
CWSA1611-311	ASSY,LEG ADJUSTMENT,STONE HG	55.11
CWSA1611-321	ASSY,LEG ADJUSTMENT,TITANIUM HG	55.12
CWSA1611-331	ASSY,LEG ADJUSTMENT,WHITE GLOSS	55.13
CWSA1611-341	ASSY,LEG ADJUSTMENT,BLACK ONYX	55.14
CWSA1611-351	ASSY,LEG ADJUSTMENT,LIGHT BRONZE	55.15
CWSA1611-361	ASSY,LEG ADJUSTMENT,SAPPHIRE BLUE	55.16

CW30112-260	WEIGHT STACK,260 LBS,MTP-S,9 X 10 L	56
CWRANN038-063	BOLT, SHOULDER, 3/8-16 X 1/2 X 5/8	57
CWKADLN050-081	NUT, ACORN, 1/2-13	58
CWKMYN038-034	NUT, HEX, UNC, 3/8-16, BLK XYLAN	59
CWKAYN038-027	LOCKNUT, NYLON INSERT, HALF, UNC,	60
CW12537-109	NUT,INSERT,THIN-NUT,LARGE FLANGE	61
CWTAYN038-075	SCREW, BUTTON HEAD, BLK XYLAN, 3/8	62
CWTAYN031-100	SCREW, BUTTON HEAD, BLK XYLAN, 5/16	63
CWTAYN031-150	SCREW, BUTTON HEAD, BLK XYLAN, 5/16	64
CWTAYN031-300	SCREW, BUTTON HEAD, BLK XYLAN, 5/16	65
CWCAYN025-050	SCREW, SOCKET HEAD, BLK XYLAN, 1/4	66
CWCAYN038-100	SCREW, SOCKET HEAD, BLK XYLAN, 3/8	67
CWBFNN050-250	STUD, 1/2-13 X 2 1/2	69
CWWACNN063-009	WASHER, NYLON, 5/8 ID X 15/16 OD X	70
CWWBKN031-007	WASHER, FLAT, TYPE A, SAE, 5/16 ID	71
CW12634-101	SPRING, TORSION 90 DEG X 0.484 X 0.	72
CW31770-742	LATCH PIVOTING PIN, CLR ZN	73
CWAMNN028-003	RING, RETAINING, 2-TURN, SPIRAL, SS	74
CWCAYN038-275	SCREW, SOCKET HEAD, BLK XYLAN, 3/8	76
CW30151-101	ASSY, LABEL,INSTRUCTION,619	78
CWAC1183-101	LABEL, WARNING, SERIOUS INJURY	79
CWPD1105B-101	PAD,9X17,4HOLES,W/BP,BLACK	80.01
CWPD1105B-102	PAD,9X17,4HOLES,W/BP,RYL BL	80.02
CWPD1105B-103	PAD,9X17,4HOLES,W/BP,DVE GRY	80.03
CWPD1105B-104	PAD,9X17,4HOLES,W/BP,CROCUS	80.04
CWPD1105B-105	PAD,9X17,4HOLES,W/BP,GROTTO	80.05
CWPD1105B-106	PAD,9X17,4HOLES,W/BP,GRAPHITE	80.06
CWPD1105B-107	PAD,9X17,4HOLES,W/BP,RED	80.07
CWPD1105B-108	PAD,9X17,4HOLES,W/BP,CHN GRN	80.08
CWPD1105B-109	PAD,9X17,4HOLES,W/BP,TURQSE	80.09
CWPD1105B-110	PAD,9X17,4HOLES,W/BP,RASP	80.1
CWPD1105B-111	PAD,9X17,4HOLES,W/BP,PLUM	80.11
CWPD1105B-112	PAD,9X17,4HOLES,W/BP,REGIMENT	80.12
CWPD1105B-113	PAD,9X17,4HOLES,W/BP,SPC BLUE	80.13
CWPD1105B-115	PAD,9X17,4HOLES,W/BP,BLK LTHR	80.15
CWPD1105B-116	PAD,9X17,4HOLES,W/BP,NVBL LTH	80.16
CWPD1105B-117	PAD,9X17,4HOLES,W/BP,PUTTY	80.17
CWPD1105B-118	PAD,9X17,4HOLES,W/BP,IMPRL BLUE	80.18
CWPD1105B-119	PAD,9X17,4HOLES,W/BP,YEW GREEN	80.19
CWPD1105B-120	PAD,9X17,4HOLES,W/BP,DUSTY JADE	80.2
CWPD1105B-121	PAD,9X17,4HOLES,W/BP,TERRA COTTA	80.21
CWPD1105B-122	PAD,9X17,4HOLES,W/BP,PAPRIKA	80.22
CWPD1105B-123	PAD,9X17,4HOLES,W/BP,ASH LTHR	80.23
CWPD1105B-124	PAD,9X17,4HOLES,W/BP,CERULEAN LTHR	80.24
CWPD1105B-125	PAD,9X17,4HOLES,W/BP,CHARCOAL LTHR	80.25
CWPD1105B-126	PAD,9X17,4HOLES,W/BP,HUNTER LTHR	80.26
CWPD1105B-127	PAD,9X17,4HOLES,W/BP,MOSS LTHR	80.27
CWPD1105B-128	PAD,9X17,4HOLES,W/BP,SPICE LTHR	80.28
CWPD1105B-129	PAD,9X17,4HOLES,W/BP,TOMATO LTHR	80.29
CWPD1141J-101	PAD,4X19,2HOLES,W/BP,BLACK, W/SLIP	81.01
CWPD1141J-102	PAD,4X19,2HOLES,W/BP,RYL BL, W/SLIP	81.02
CWPD1141J-103	PAD,4X19,2HOLES,W/BP,DVE GRY, W/SLI	81.03



CWPD1141J-104	PAD,4X19,2HOLES,W/BP,CROCUS, W/SLIP	81.04
CWPD1141J-105	PAD,4X19,2HOLES,W/BP,GROTTO, W/SLIP	81.05
CWPD1141J-106	PAD,4X19,2HOLES,W/BP,GRAPHITE, W/SL	81.06
CWPD1141J-107	PAD,4X19,2HOLES,W/BP,RED, W/SLIP	81.07
CWPD1141J-108	PAD,4X19,2HOLES,W/BP,CHN GRN, W/SLI	81.08
CWPD1141J-109	PAD,4X19,2HOLES,W/BP,TURQSE,W/SLIP	81.09
CWPD1141J-110	PAD,4X19,2HOLES,W/BP,RASP,W/SLIP	81.1
CWPD1141J-111	PAD,4X19,2HOLES,W/BP,PLUM, W/SLIP	81.11
CWPD1141J-112	PAD,4X19,2HOLES,W/BP,REGIMENT,W/SLI	81.12
CWPD1141J-113	PAD,4X19,2HOLES,W/BP,SPC BLUE,W/SLI	81.13
CWPD1141J-115	PAD,4X19,2HOLES,W/BP,BLK LTHR,W/SLI	81.15
CWPD1141J-116	PAD,4X19,2HOLES,W/BP,NVBL LTH,W/SLI	81.16
CWPD1141J-117	PAD,4X19,2HOLES,W/BP,PUTTY,W/SLIP	81.17
CWPD1141J-118	PAD,4X19,2HOLES,W/BP,IMPRL BL,W/SLI	81.18
CWPD1141J-119	PAD,4X19,2HOLES,W/BP,YEW GRN,W/SLIP	81.19
CWPD1141J-120	PAD,4X19,2HOLES,W/BP,DSTY JD,W/SLIP	81.2
CWPD1141J-121	PAD,4X19,2HOLES,W/BP,TER COT,W/SLIP	81.21
CWPD1141J-122	PAD,4X19,2HOLES,W/BP,PAPRIKA,W/SLIP	81.22
CWPD1141J-123	PAD,4X19,2HOLES,W/BP,ASH LTHR,W/SLI	81.23
CWPD1141J-124	PAD,4X19,2HOLES,W/BP,CERULEAN LTHR,	81.24
CWPD1141J-125	PAD,4X19,2HOLES,W/BP,CHARCOAL LTHR,	81.25
CWPD1141J-126	PAD,4X19,2HOLES,W/BP,HUNTER LTHR,W/	81.26
CWPD1141J-127	PAD,4X19,2HOLES,W/BP,MOSS LTHR,W/SL	81.27
CWPD1141J-128	PAD,4X19,2HOLES,W/BP,SPICE LTHR,W/S	81.28
CWPD1142J-101	PAD,5X19,2HOLES,W/BP,BLACK,W/SLIP	82.01
CWPD1142J-102	PAD,5X19,2HOLES,W/BP,RYL BL,W/SLIP	82.02
CWPD1142J-103	PAD,5X19,2HOLES,W/BP,DVE GRY,W/SLIP	82.03
CWPD1142J-104	PAD,5X19,2HOLES,W/BP,CROCUS,W/SLIP	82.04
CWPD1142J-105	PAD,5X19,2HOLES,W/BP,GROTTO,W/SLIP	82.05
CWPD1142J-106	PAD,5X19,2HOLES,W/BP,GRAPHITE,W/SLI	82.06
CWPD1142J-107	PAD,5X19,2HOLES,W/BP,RED,W/SLIP	82.07
CWPD1142J-108	PAD,5X19,2HOLES,W/BP,CHN GRN,W/SLIP	82.08
CWPD1142J-109	PAD,5X19,2HOLES,W/BP,TURQSE,W/SLIP	82.09
CWPD1142J-110	PAD,5X19,2HOLES,W/BP,RASP,W/SLIP	82.1
CWPD1142J-111	PAD,5X19,2HOLES,W/BP,PLUM,W/SLIP	82.11
CWPD1142J-112	PAD,5X19,2HOLES,W/BP,REGIMENT,W/SLI	82.12
CWPD1142J-113	PAD,5X19,2HOLES,W/BP,SPC BLUE,W/SLI	82.13
CWPD1142J-115	PAD,5X19,2HOLES,W/BP,BLK LTHR,W/SLI	82.15
CWPD1142J-116	PAD,5X19,2HOLES,W/BP,NVBL LTH,W/SLI	82.16
CWPD1142J-117	PAD,5X19,2HOLES,W/BP,PUTTY,W/SLIP	82.17
CWPD1142J-118	PAD,5X19,2HOLES,W/BP,IMPRL BL,W/SLI	82.18
CWPD1142J-119	PAD,5X19,2HOLES,W/BP,YEW GRN,W/SLIP	82.19
CWPD1142J-120	PAD,5X19,2HOLES,W/BP,DSTY JD,W/SLIP	82.2
CWPD1142J-121	PAD,5X19,2HOLES,W/BP,TER COT,W/SLIP	82.21
CWPD1142J-122	PAD,5X19,2HOLES,W/BP,PAPRIKA,W/SLIP	82.22
CWPD1142J-123	PAD,5X19,2HOLES,W/BP,ASH LTHR,W/SLI	82.23
CWPD1142J-124	PAD,5X19,2HOLES,W/BP,CERULEAN LTHR,	82.24
CWPD1142J-125	PAD,5X19,2HOLES,W/BP,CHARCOAL LTHR,	82.25
CWPD1142J-126	PAD,5X19,2HOLES,W/BP,HUNTER LTHR,W/	82.26
CWPD1142J-127	PAD,5X19,2HOLES,W/BP,MOSS LTHR,W/SL	82.27
CWPD1142J-128	PAD,5X19,2HOLES,W/BP,SPICE LTHR,W/S	82.28

CWPD1142J-129	PAD,5X19,2HOLES,W/BP,TOMATO LTHR,W/	82.29
<b>CWPD1204J-101</b>	PAD,14-1/8X18X18.5,4HL,W/BP,BLACK,W	83.01
CWPD1204J-102	PAD,14-1/8X18X18.5,4HL,W/BP,RYL BL,	83.02
CWPD1204J-103	PAD,14-1/8X18X18.5,4HL,W/BP,DVE GRY	83.03
CWPD1204J-104	PAD,14-1/8X18X18.5,4HL,W/BP,CROCUS,	83.04
CWPD1204J-105	PAD,14-1/8X18X18.5,4HL,W/BP,GROTTO,	83.05
CWPD1204J-106	PAD,14-1/8X18X18.5,4HL,W/BP,GRAPHIT	83.06
CWPD1204J-107	PAD,14-1/8X18X18.5,4HL,W/BP,RED,W/S	83.07
CWPD1204J-108	PAD,14-1/8X18X18.5,4HL,W/BP,CHN GRN	83.08
CWPD1204J-109	PAD,14-1/8X18X18.5,4HL,W/BP,TURQSE,	83.09
CWPD1204J-110	PAD,14-1/8X18X18.5,4HL,W/BP,RASP,W/	83.1
CWPD1204J-111	PAD,14-1/8X18X18.5,4HL,W/BP,PLUM,W/	83.11
CWPD1204J-112	PAD,14-1/8X18X18.5,4HL,W/BP,REGIMEN	83.12
CWPD1204J-113	PAD,14-1/8X18X18.5,4HL,W/BP,SPC BLU	83.13
CWPD1204J-115	PAD,14-1/8X18X18.5,4HL,W/BP,BLK LTH	83.15
CWPD1204J-116	PAD,14-1/8X18X18.5,4HL,W/BP,NVBL LT	83.16
CWPD1204J-117	PAD,14-1/8X18X18.5,4HL,W/BP,PUTTY,W	83.17
CWPD1204J-118	PAD,14-1/8X18X18.5,4HL,W/BP,IMPL BL	83.18
CWPD1204J-119	PAD,14-1/8X18X18.5,4HL,W/BP,YEW GRN	83.19
CWPD1204J-120	PAD,14-1/8X18X18.5,4HL,W/BP,DSTY JD	83.2
CWPD1204J-121	PAD,14-1/8X18X18.5,4HL,W/BP,TER COT	83.21
CWPD1204J-122	PAD,14-1/8X18X18.5,4HL,W/BP,PAPRIKA	83.22
CWPD1204J-123	PAD,14-1/8X18X18.5,4HL,W/BP,ASH LTH	83.23
CWPD1204J-124	PAD,14.13X18X18.5,4H,W/BP,CERLN LTH	83.24
CWPD1204J-125	PAD,14.13X18X18.5,4H,W/BP,CHRCL LTH	83.25
CWPD1204J-126	PAD,14.13X18X18.5,4L,W/BP,HUNTR LTH	83.26
CWPD1204J-127	PAD,14-1/8X18X18.5,4H,W/BP,MOSS LTH	83.27
CWPD1204J-128	PAD,14-1/8X18X18.5,4H,W/BP,SPCE LTH	83.28
CWPD1204J-129	PAD,14-1/8X18X18.5,4H,W/BP,TOMT LTH	83.29
<b>CWAC220-901</b>	HANDLE END CAP W/SET SCREWS, DIA 3/	84
CWGR4805-000	GRIP, RUBBER, .75" OD HANDLE, 5.00"	85
<b>CW31756-101</b>	LABEL, PRECOR USA ICARIAN LINE	87
<b>CWEANN031-031</b>	SCREW, SET, SCKT, CUP POINT, 5/16-1	89
<b>CWSA1120-731</b>	WELDMENT, SPRING STOP, BLK ZN	90
<b>CWWALYN031-008</b>	WASHER, SPLIT, 5/16 ID, BL	93
<b>CW31784-731</b>	STOP PLUG, BLK ZN	94
CWWBKN038-007	WASHER, FLAT, TYPE A, SAE, 3/8 ID	95
<b>CWWALYN031-008</b>	WASHER, SPLIT, 5/16 ID, BL	96
<b>CWWALYN038-009</b>	WASHER, SPLIT, 3/8 ID, BLK XYLAN	97
<b>CWWALYN050-013</b>	WASHER, SPLIT, 1/2 ID, BLK XYLAN	98
CW31077-711	ASSY, BACKPAD ADJUSTMENT, 9 HOLE, 3	99
<b>CW30165-752</b>	ASSY, POP PIN, 0.450 DIA NOSE, BLU	100
CWAC1133-101	BUSHING, WEIGHT PLATE, LDPE PLASTIC	203
<b>CW33870-102</b>	ASSEMBLY, 5" WEIGHT STACK PIN & LEA	228
CW10519-721	PLATE, WEIGHT, 20 LBS, WRKL BLK	279
CW32560-101	ASSY, PLATE, WEIGHT, MED TOP (MTP-S	299
CW12401-106	LABEL, WEIGHT PLATE, 20 LBS/ 8 KG	319
CW12401-110	LABEL, WEIGHT PLATE, 30 LBS/ 13.6 K	323
CW12401-114	LABEL, WEIGHT PLATE, 40 LBS/ 18.2 K	326
CW12401-118	LABEL, WEIGHT PLATE, 50 LBS/ 22.7 K	330
CW12401-120	LABEL, WEIGHT PLATE, 60 LBS/ 27.3 K	332
CW12401-122	LABEL, WEIGHT PLATE, 70 LBS/ 31.8 K	335

CW12401-124	LABEL, WEIGHT PLATE, 80 LBS/ 36.4 K	337
CW12401-126	LABEL, WEIGHT PLATE, 90 LBS/ 40.9 K	339
CW12401-128	LABEL, WEIGHT PLATE, 100 LBS/ 45.5	341
CW12401-130	LABEL, WEIGHT PLATE, 120 LBS/ 54.6	343
CW12401-132	LABEL, WEIGHT PLATE, 140 LBS/ 63.6	345
CW12401-134	LABEL, WEIGHT PLATE, 160 LBS/ 72.7	347
CW12401-136	LABEL, WEIGHT PLATE, 180 LBS/ 81.8	349
CW12401-138	LABEL, WEIGHT PLATE, 200 LBS/ 90.9	351
CW12401-140	LABEL, WEIGHT PLATE, 220 LBS/ 100 K	353
CW12401-142	LABEL, WEIGHT PLATE, 240 LBS/ 109.1	355
CW12401-144	LABEL, WEIGHT PLATE, 260 LBS/ 118.2	357
CW33270-101	LABELS,WEIGHT STACK,260 LBS,20-260	399
CW33275-101	LABELS,WEIGHT STACK,300LBS,20-300 L	399
CW12537-109	NUT,INSERT,THIN-NUT,LARGE FLANGE	400
CWPF3143-211	SHROUD,SHEET,STEEL,4 BENDS, SKY WHI	402.01
CWPF3143-221	SHROUD,SHEET,STEEL,3/32 THICK,4 BEN	402.02
CWPF3143-231	SHROUD,SHEET,STEEL,3/32 THICK,4 BEN	402.03
CWPF3143-241	SHROUD,SHEET,STEEL,3/32 THICK,4 BEN	402.04
CWPF3143-251	SHROUD,SHEET,STEEL,3/32 THICK,4 BEN	402.05
CWPF3143-261	SHROUD,SHEET,STEEL,3/32 THICK,4 BEN	402.06
CWPF3143-271	SHROUD,SHEET,STEEL,3/32 THICK,4 BEN	402.07
CWPF3143-281	SHROUD,SHEET,STEEL,3/32 THICK,4 BEN	402.08
CWPF3143-291	SHROUD,SHEET,STEEL,3/32 THICK,4 BEN	402.09
CWPF3143-311	SHROUD,SHEET,STEEL,3/32 THICK,4 BEN	402.11
CWPF3143-321	SHROUD,SHEET,STEEL,4 BENDS, TITANIU	402.12
CWPF3143-331	SHROUD,SHEET,STEEL,3/32 THICK,4 BEN	402.13
CWPF3143-341	SHROUD,SHEET,STEEL,3/32 THICK,4 BEN	402.14
CWPF3143-351	SHROUD,SHEET,STEEL,3/32 THICK,4 BEN	402.15
CWPF3143-361	SHROUD,SHEET,STEEL,3/32 THICK,4 BEN	402.16
CWPF3143-711	SHROUD,SHEET,STEEL,3/32 THICK,4 BEN	402.17
CWPF3144-721	SHROUD BRKT,PLATE,STEEL,1/8 THICK,1	403
CWPF3145-721	SHROUD BRKT,PLATE,STEEL,1/8 THICK,2	404
CWTAYN031-100	SCREW, BUTTON HEAD, BLK XYLAN, 5/16	405
CWWALYN031-008	WASHER, SPLIT, 5/16 ID, BL	406
CWWBKN031-007	WASHER, FLAT, TYPE A, SAE, 5/16 ID	407
CW30326-721	WELDMENT, LINK PIVOT, 619, WRKL BLK	425
CWAC1177-101	FLOOR PROTECTOR, RUBBER, 4.563 X 4.	501
CWAC1178-101	FLOOR PROTECTOR, RUBBER, 2.563 X 6.	502
CWAC1179-101	FLOOR PROTECTOR, RUBBER, 4.813 X 2.	503